

WT-30LCI Rewind System



910 BOLGER COURT. FENTON, MO 63026 . USA
(800) 325-9777 (636) 343-0806 FAX: (636) 343-6629
sales@webtechniquesinc.com | webtechniquesinc.com



ALL WT-30LCI SYSTEMS COME STANDARD WITH ALUMINUM TOPS.

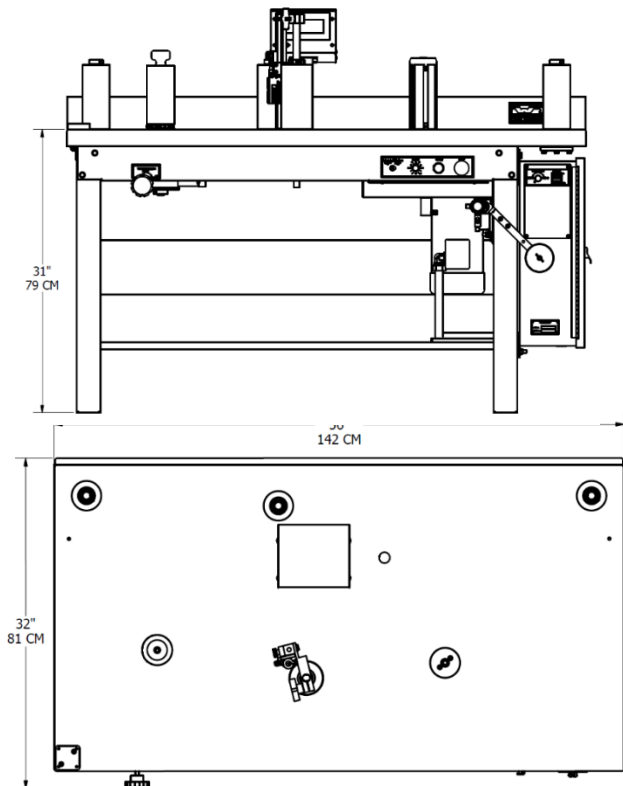
OPTIONS PICTURED ABOVE ARE NOT STANDARD WITH THE WT-30LCI.

SOLVE YOUR LABEL INVENTORY ISSUES WITH A WEB TECHNIQUES REWIND SYSTEM
SAVE MONEY AND TIME BY QUICKLY AND ACCURATELY COUNTING AND REWINDING
YOUR LABELS WITH A WEB TECHNIQUES REWIND SYSTEM.

1. FAST, EASY TO USE
2. REQUIRES PRACTICALLY NO SET-UP TIME
3. QUICKLY REWINDS LARGE MASTER ROLLS INTO ROLLS OF PREDETERMINED COUNT OR LENGTH
4. BUILT IN PHOTOELECTRIC COUNTING SYSTEM

FEATURES:

1. **INFINITELY VARIABLE MOTOR SPEED CONTROL**
System will automatically “over speed” the motor, rewinding smaller diameter cores twice as fast as the WT-25 rewind system family
2. **PEDESTAL MOUNTED HIGH VISIBILITY, BACKLIT TOUCH SCREEN CONTROL**
Dual Preset: Set one point for deceleration and a second point for final stop
Counts in both English or Metric Units at the touch of a button
3. **WIND LABELS IN OR OUT**
4. **STAINLESS STEEL REWIND SURFACE**
5. **CONSTANT SPEED CONTROL**
Allows system to automatically maintain desired web speed
6. **MISSING LABEL DETECTION**
7. **UNREMOVED MATRIX DETECTION**
8. **CHOICE OF COREHOLDER STYLES**
Lift-Off Cam-Lock (Mechanical)
Lift-Off Air Inflatable (Great choice for quickly switching between coreholder sizes)
Flange Mounted Air Inflatable
9. **CHOICE OF COREHOLDER SIZES**
Coreholders range in size from coreless to 0.4” through 6” (25mm through 120mm),
Please do not hesitate to contact us with any special requests



10. CHOICE OF COUNTING SYSTEMS

Our systems are compatible with almost any counting system available, Please do not hesitate to contact us with any special requests

11. (OPTIONAL) **BAR CODE VALIDATION SYSTEM**
12. (OPTIONAL) **DATA LOGGING SYSTEM**
13. (OPTIONAL) **SPLICE DETECTION SYSTEM**
14. (OPTIONAL) **COMPRESSED AIR MODULE**
Allows WT-30LCI system to be operated in locations with no compressed air availability
15. (OPTIONAL) **RAZOR BLADE SLITTING ATTACHMENT**
Requires air coreholder on the rewind for multiple cores
16. (OPTIONAL) **LED STROBE SYSTEM**
Creates a “stand still” effect, allowing visual inspection at high speeds. Energy Efficient!
17. (OPTIONAL) **ERGO-LIFT HEIGHT ADJUSTMENT SYSTEM**
18. (OPTIONAL) **STATIC ELIMINATION SYSTEM (DE-IONIZING SYSTEM)**
19. (OPTIONAL) **MULTI-LANE COUNTING**

WT-30LCI System Specifications:

Web Width (MAX): 13”
Unwind Roll (MAX): 24”
Rewind Roll (MAX): 24”
Roll Weight (MAX): 250+ lbs.
Rewind Speed (MAX): 1,200 ft/min
Tension Brake: Standard/Pneumatic Brake is Optional
AC Motor: 1HP
Rewind Torque (MAX): 250+ in lbs.
Decel & Stop: Standard/Included
Winding: CW & CCW
Rewind Stop Type: Deceleration/Friction
Count Methods: Length & Label
Electrical: 120VAC Standard/ 220VAC Optional



910 BOLGER COURT. FENTON, MO 63026 . USA
(800) 325-9777 (636) 343-0806 FAX: (636) 343-6629